



**VENDS**

**Vends Tech India Pvt. Ltd.**  
**Build Relationship**



# Vends Tech India Pvt. Ltd.

## Build Relationship

**Vends Tech India Pvt. Ltd.** has been incorporated in 2019. Manufacturer off **HVLS / Industrial Fans, Exhaust Fans, In-line Duct Fans, Recessed Ceiling Fans, Evaporative Air Conditioner, etc.**

**Vends Tech India Pvt. Ltd.** has an extremely prestigious customer base supported across India through a strong partner network on multiple projects and locations. Vends Tech India Pvt. Ltd. product strategy is driven by Customer requirements, Safety, Quality, Reliability and Durability, Vends Tech India Pvt. Ltd. Products offer the best technology at the most competitive pricing with assured service support and spares.

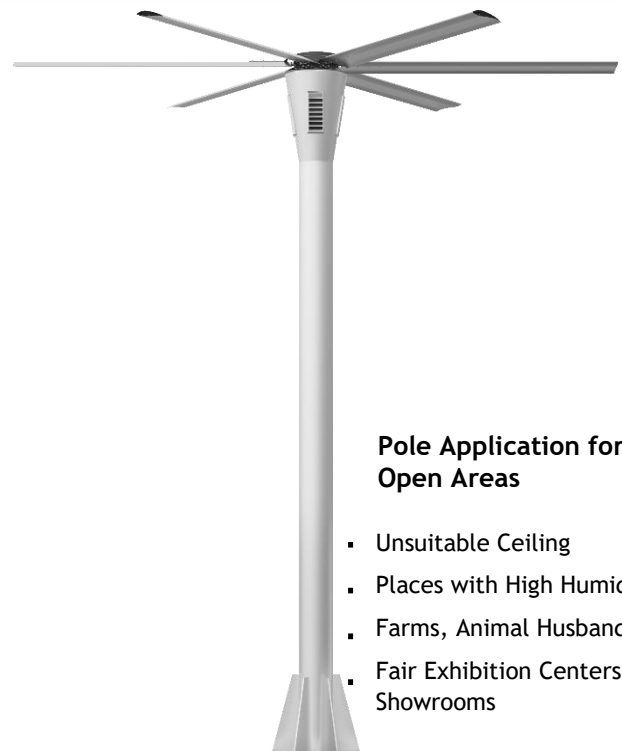
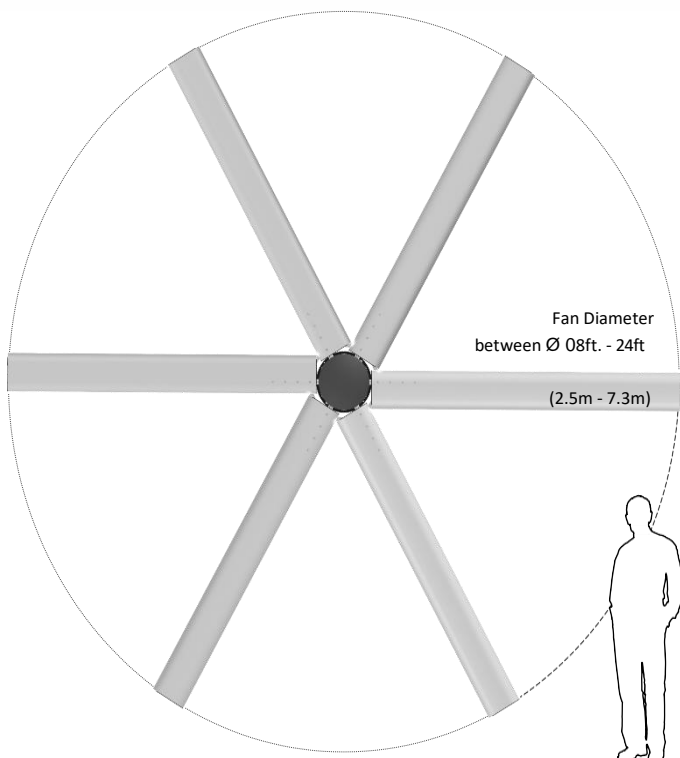
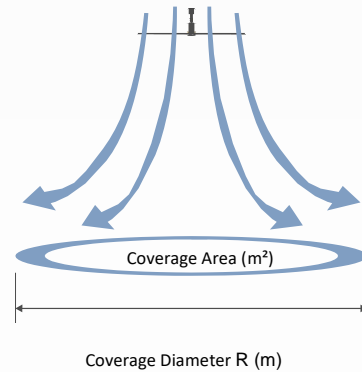
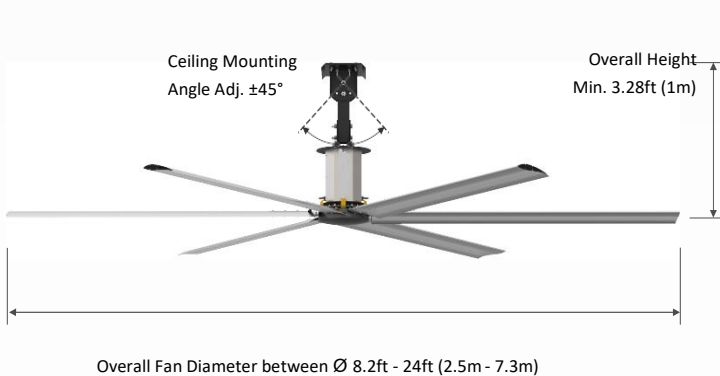


# Benefits of HVLS Ceiling Fans

- Require lower cost for investment, installation and maintenance than traditional cooling methods. Cut energy consumption for heating. Provide eco-friendly and economic solutions.
- Assist in the removal of contaminant and heat.
- Help reduce condensation on floors and equipment's.
- Work coordinated with high velocity fans and other air conditioning systems. Offer multi-fan control and adjustable fan speed.
- Offer silent operation. Supply winter desertification and summer cooling.

## “ Reduce Energy Costs with High Volume Low Speed Fans ”

### Dimension's





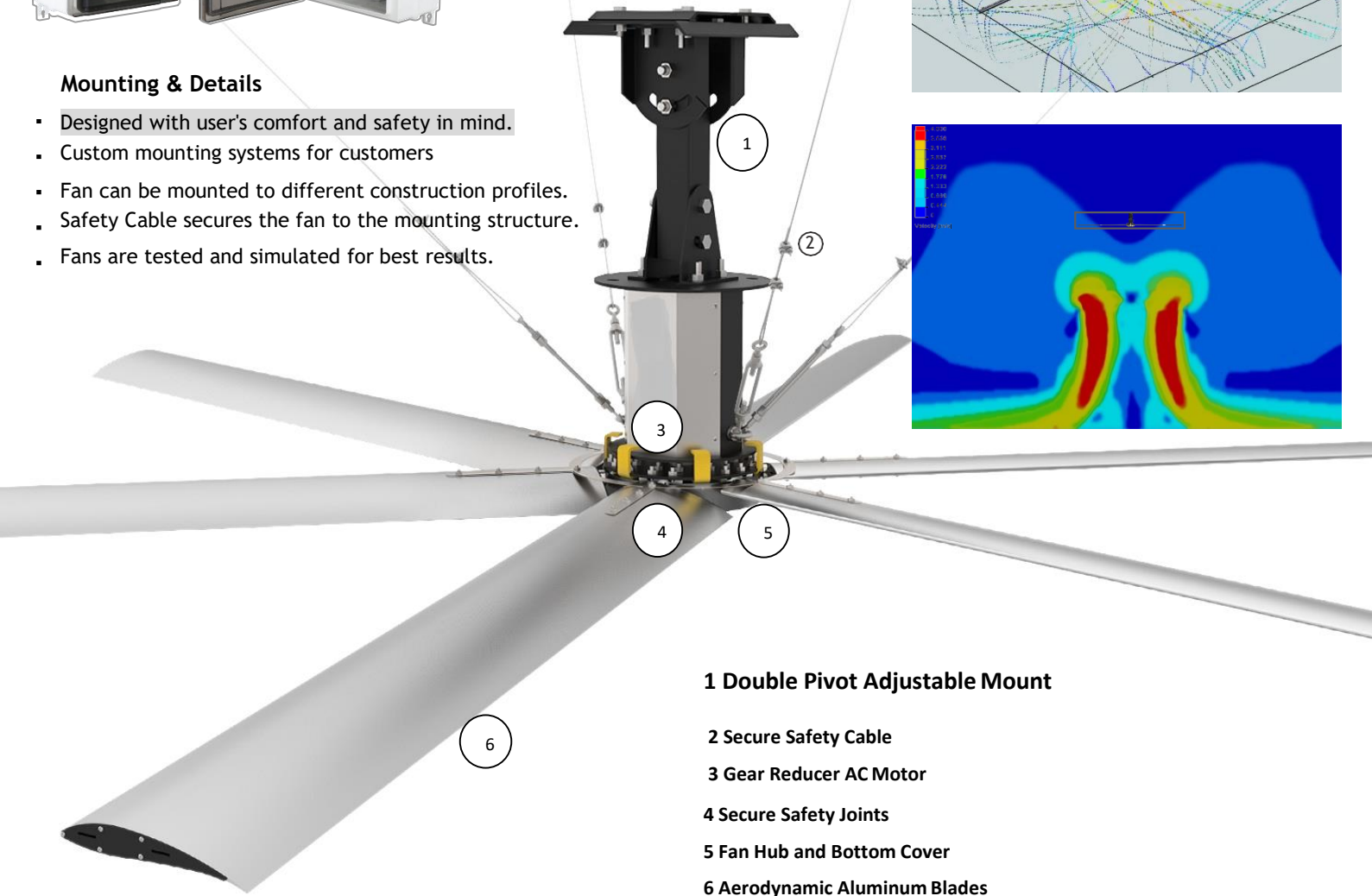
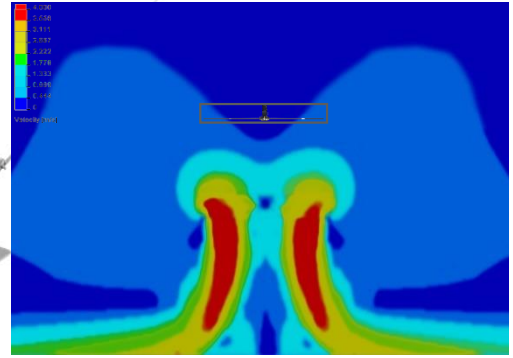
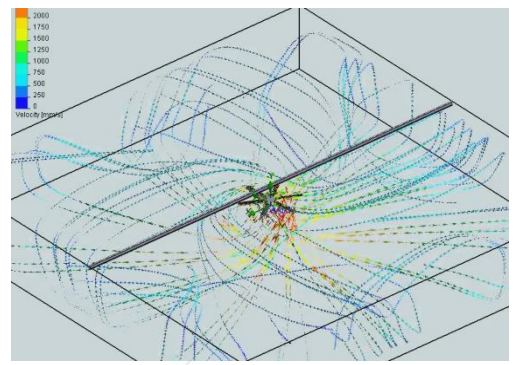


### Fan Control Danfoss

- Speed Control Device(inverter)
- Operating Mode Selection
- External Ventilation and Thermostat

### Mounting & Details

- Designed with user's comfort and safety in mind.
- Custom mounting systems for customers
- Fan can be mounted to different construction profiles.
- Safety Cable secures the fan to the mounting structure.
- Fans are tested and simulated for best results.



### 1 Double Pivot Adjustable Mount

2 Secure Safety Cable

3 Gear Reducer AC Motor

4 Secure Safety Joints

5 Fan Hub and Bottom Cover

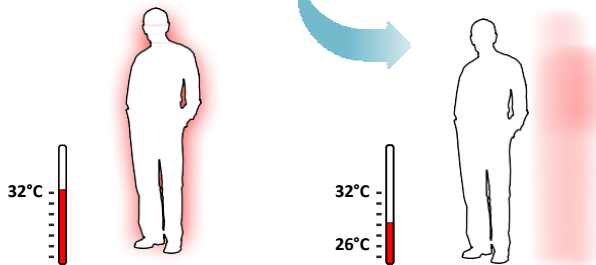
6 Aerodynamic Aluminum Blades

### Summer Cooling



Before Vends Tech

After Vends Tech

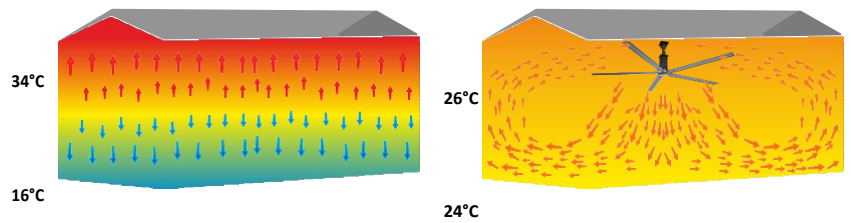


### Winter DE stratification



Before Vends Tech

After Vends Tech



Body conducts heat into the air layer

Cooling by air movement

Heated air collects at ceiling

HVLS Fans Supply warm air desertification

Require lower cost for investment, installation and maintenance than traditional cooling methods.

- Cut energy consumption for heating. Provide eco-friendly and economic solutions.

Improve worker comfort, enhance productivity with minimum energy consumption.

- Bring heated air at the ceiling down to the floor. Supply warm air desertification.

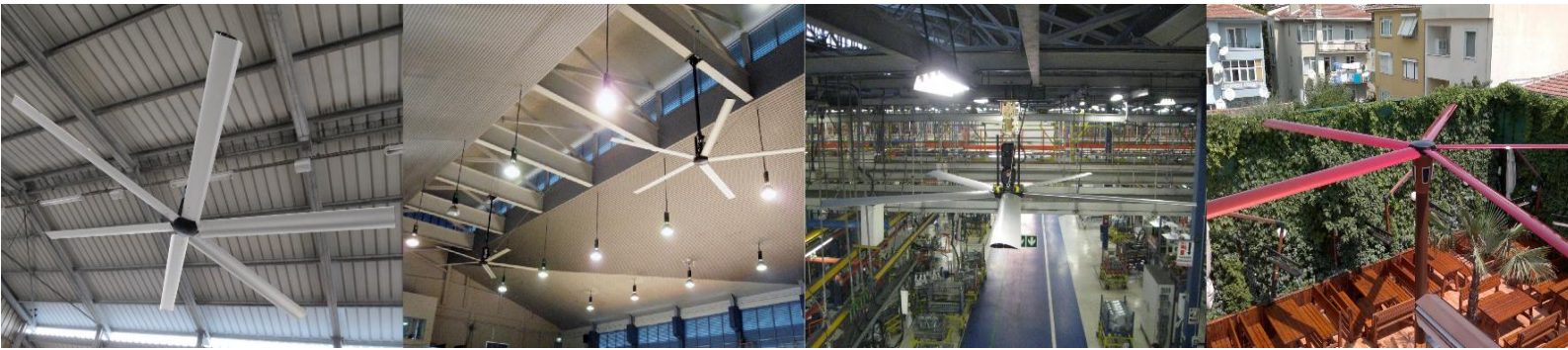
# TECHNICAL SPECIFICATION

Order Code	Fan Diameter Ø (mm)	Maximum Speed (Rpm)	Motor Power (KW)	Maximum Speed P. Consumption (KWh)	Airflow (ft <sup>3</sup> /s)	Coverage Area (Ft <sup>2</sup> )	Coverage Diameter R (Ft)	Weight (kg)
VENDSTECH R8	8ft (2.44m)	105	1.1	0.6	6000	1024	32	88
VENDSTECH R10	10ft (3.05m)	100	1.1	0.7	6400	1600	40	93
VENDSTECH R12	12ft (3.66m)	94	1.1	0.85	10456	2304	48	98
VENDSTECH R14	14ft (4.27m)	80	1.5	0.6	16400	3136	56	110
VENDSTECH R16	16ft (4.88m)	80	1.5	0.7	26250	4096	64	112
VENDSTECH R18	18ft (5.49m)	62	1.5	1.0	30250	5184	72	120
VENDSTECH R20	20ft (6.10m)	62	1.5	1.3	36000	6400	80	124
VENDSTECH R22	22ft (6.71m)	62	2.2	1.6	45000	7744	88	130
VENDSTECH R24	24ft (7.32m)	62	2.2	1.8	60000	9216	96	134
VENDSTECH R24	24ft (7.32m)	52	1.5	1.5	32000	6000	74	128

Note: - \*Weight of fans change depending on the length and design of ceiling mounting brackets.

\*Coverage area is affected by objects such as obstructing the airflow. (columns, walls, machines, furniture's...)

## Recommended Applications



Places Where Maximum Air Movement is Required (Farms, Animal Husbandry Facilities)

Large Buildings with High Ceilings (Warehouses, Hangars, Industrial Facilities, Malls, Shopping Centers, Sports Halls)





**VENDS TECH** is world class

**technology with extraordinary benefits**

**for the commercial and industrial area**

Represented By

**VENDS TECH INDIA PVT LTD**

Contact No: - +91 91195 36495 / +91 9309423291

Mail Id :- [sales@vendsindia.com](mailto:sales@vendsindia.com)

Web Site: - <http://www.vendsindia.com>

**Thank You...**

